

HOUSELIGHTS			
Unit	Position	Channel	DMX
Houselights	FOH 2 SL	999	505
	FOH 2 C	999	505
	FOH 2 SR	999	505
	FOH 3 SL	999	503
	FOH 3 C	999	503
	FOH 3 SR	999	503
	Balcony SL	999	501
	Balcony C	999	501
	Balcony SR	999	501

Unit	Position	Channel	DMX
Auditorium Workers	Over Stage	998	509
	Wall Lights	998	504
	Wall Lights	998	506
	Wall Lights	998	507
	Wall Lights	998	508

Rogue R2X Wash 17 Chn			
BAR	Position	Channel	DMX
LX1	SL	201	260
LX1	C	202	280
LX1	SR	203	300
LX2	SL	204	320
LX2	C	205	340
LX2	SR	206	360

Robe Colourwash 750 AT Mode 2			
BAR	Position	Channel	DMX
FOH	SL	101	100
FOH	SLC	102	120
FOH	SRC	103	140
FOH	SR	104	160
LX4	SL	105	180
LX4	SR	106	200

ETC Colour Source LED S3 8 Chn			
BAR	Position	Channel	DMX
FOH	SR	1	50
FOH	SRRC	2	58
FOH	SRC	3	66
FOH	SLC	4	74
FOH	SLLC	5	82
FOH	SL	6	90

Showtec Performer Q6 SSD 8chn			
BAR	Position	Channel	DMX
LX4	SL	151	377
LX4	C	152	385
LX4	SR	153	440

Hot Power			
BAR	Position	Channel	DMX
FOH Robe	SL	1000	1to6
FOH Source 4	SR	1000	1to6
FOH Source 4	SR	1000	1to6

LX STORAGE

LX 4

LX 3

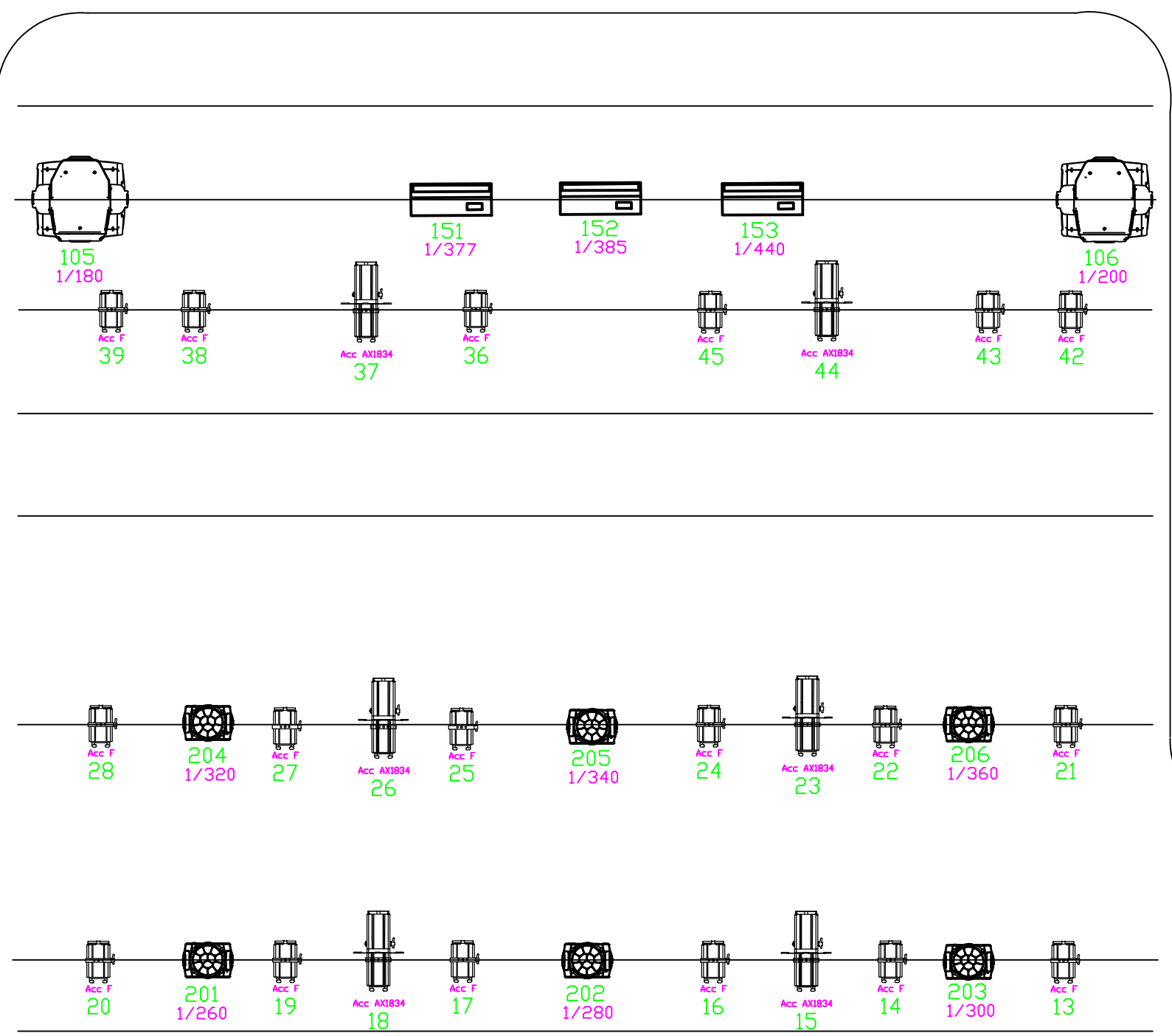
BORDER

FULL BLACK

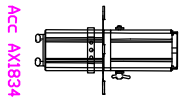
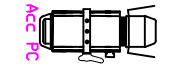
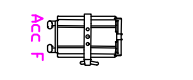
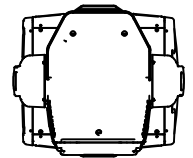


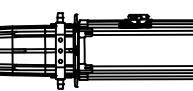
LX 2

LX 1

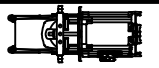
CINEMA SCREEN

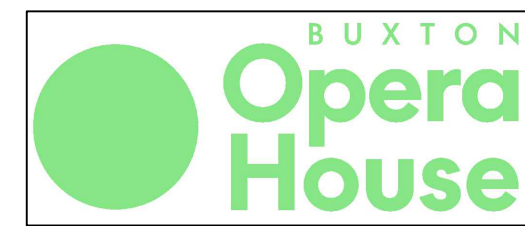


KEY

-  Selecon Aclaim 18/34
-  Selecon Aclaim PC
-  Selecon Aclaim Fresnel
-  Robe Colorwash 750 AT - Mode 2
-  Showtec Performer Cyc Q6 - SSD
-  Martin Rogue 2 Wash - 17 chn
-  S4 Lustr 3 - 7 Chn

NOTES


CHANNEL
DMX ADDRESS



LIGHTING PLAN

F	NOT TO SCALE @ A3
	DMX ADDED
	March 26 - RIG UPDATED

FOH 1

FOH 2

